

Compact and chassis units
Cabinet units

SIMOVERT MASTERDRIVES Vector Control Engineering Information

Control terminal strip
Compact and chassis units

Control terminal strip on the CUVC control board (Vector Control)

Application: SIMOVERT
MASTERDRIVES converters
and inverters compact and
chassis units

Order No. of CUVC:
6SE7090-0XX84-0AB0

Connector for the terminal
strip:
Order No. 6SY7000-0AD27
(connectors X101 to X103)

Note

Analog input parameter
programmable:

- 10 V to +10 V
- 0 V to +10 V
- 0 mA to 20 mA
- 4 mA to 20 mA
- 20 mA to +20 mA

Analog input 2
(non-floating)

Analog output:
The display range with
impressed current
(S4: 2; 3, S4: 5; 6) 0 mA
(4 mA) to
20 mA refers to the entire
value range of the output
parameter:

e.g. motor torque -200 %
 M_{Motn} to +200 % M_{Motn}
corresponds to 0 mA up to
20 mA.

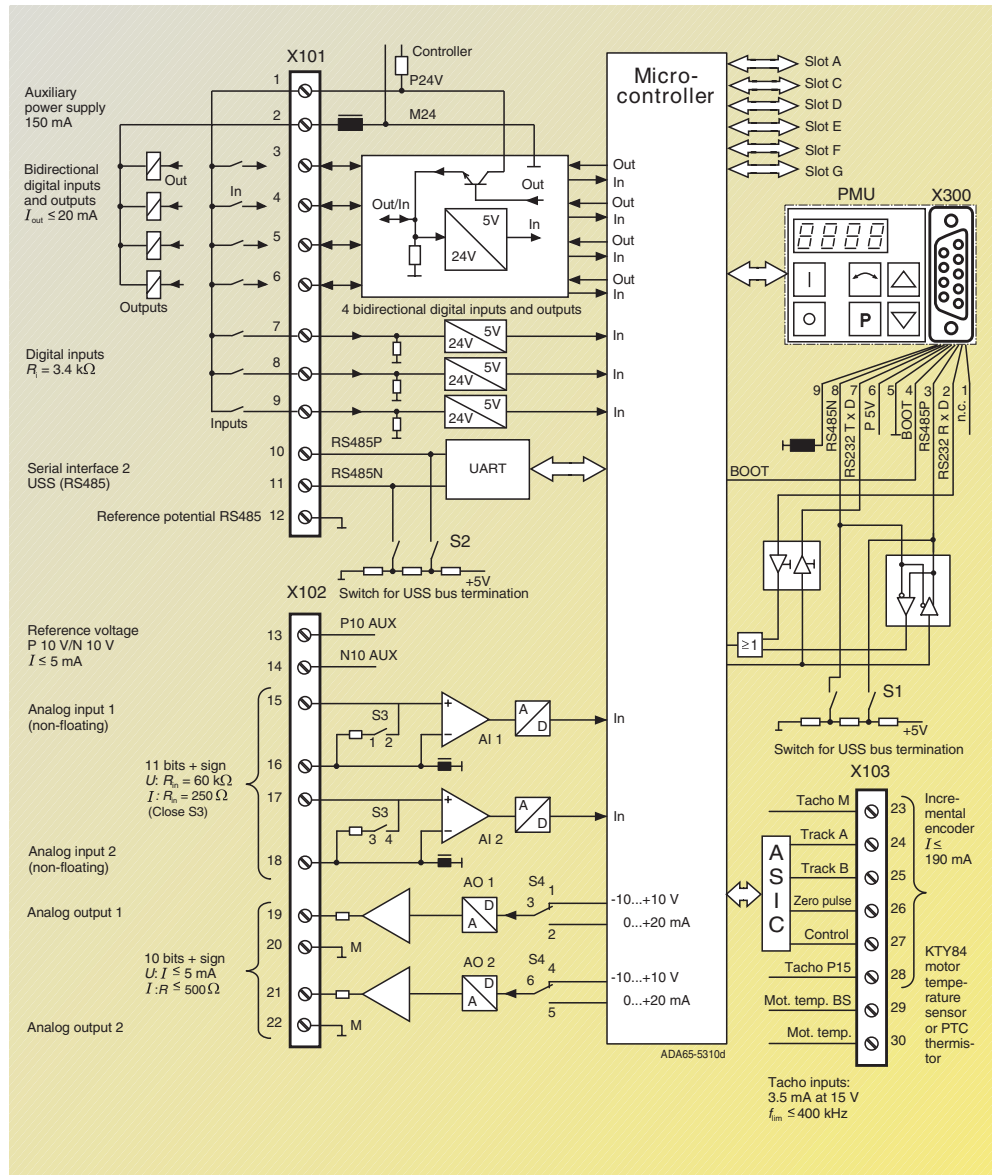


Fig. 6/45