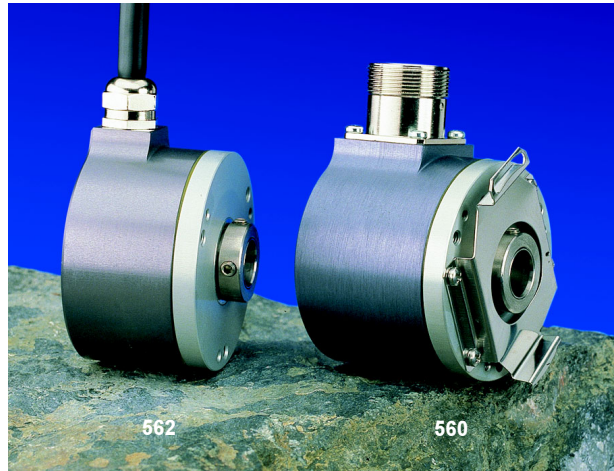




## Incremental hollow-shaft encoders

- ▶ 6 short-circuit protected outputs  
1,  $\bar{1}$ , 2,  $\bar{2}$ , 0,  $\bar{0}$
- ▶ IP 65, encapsulation class
- ▶ 5 Vdc or 9...30 Vdc
- ▶ All through hollow shaft
- ▶ Robust housing for harsh environment
- ▶ Shock and vibration protected



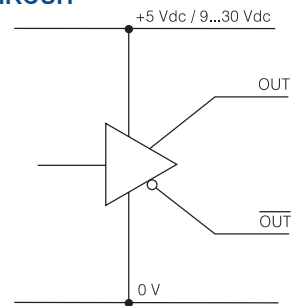
## ELECTRICAL SPECIFICATION

Supply voltage +EV	9-30V	5V $\pm$ 10%
	Polarity protected	---
Current consumption at no load	65mA @ 24V Max 75mA	45mA Max 70mA
Line counts (free choice)	1...3600 (4096, 5000 model 560-)	
Measuring steps	Max 20 000/r	
Accuracy		
Dividing error	$\pm 50^\circ$ el	
Channel separation	$90^\circ \pm 25^\circ$ el	
Outputs	HTL	RS-422, TTL
	Short circuit protected	
Load max	$\pm 40$ mA	$\pm 20$ mA
Max cable length	200m @ 50kHz	1km (TIA/EIA-422-B)
$U_{high}$ (at 10mA load)	$> +EV - 2,0V$	$> 3,0V$
$U_{low}$ (at 10mA load)	$< 1,15V$	$< 0,4V$
Frequency range	0...200kHz	

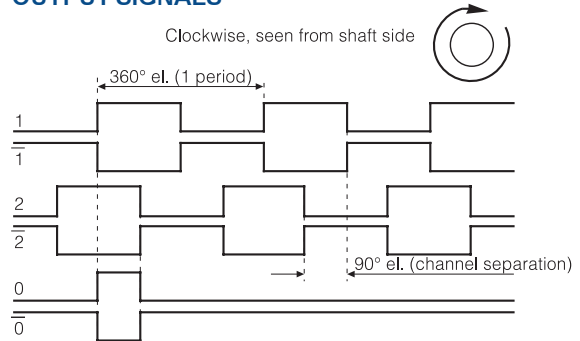
## ACCESSORIES

Mating connector	
Options -00-	Part. No. 00201009 (8 pin PT)
Options -01- anged	Part. No. 00201007 (6 pin MS)
Options -05-	Part. No. 01209015
	Part. No. 01209090 (12 pin EML)
Torque arm, Type -60-	Part. No. 01209032

## OUTPUT CIRCUIT



## OUTPUT SIGNALS



## CONNECTION

Function	8 pin PT	6 pin MS	12 pin EML	Colour
$\bar{1}$	A	A	8	Green
1	B	B	1	White
$\bar{2}$	C	C	6	Black
2	D	D	5	Yellow
+ E Volt	E	E	12	Red
0 Volt	F	F	10	Blue
0	G		3	Brown
$\bar{0}$	H		4	Violet
Case				Shield

